

CS Knuckle Boom Series

Truck-mounted Hydraulic Cranes

CS Knuckle Boom Series



CS MACHINERY CO.,LTD

A MASTERPIECE OF CRANE TECHNOLOGY DESIGNED TO COMBINE EXCEPTIONAL POWER WITH DISTINCTIVE STYLING AND PRECISION

CSN Knuckle boom series is a new successful combination of an advanced technology and reliable strength.

CSN series is no doubt to be a friendly and powerful partner to you.

And it can be easily fitted with various hydraulic attachments-hydraulic grapples, pallet forks, winch equipment and other kinds of lifting apparatus.

This enables the crane to serve under varied circumstances.

Several safety features are standard, including...

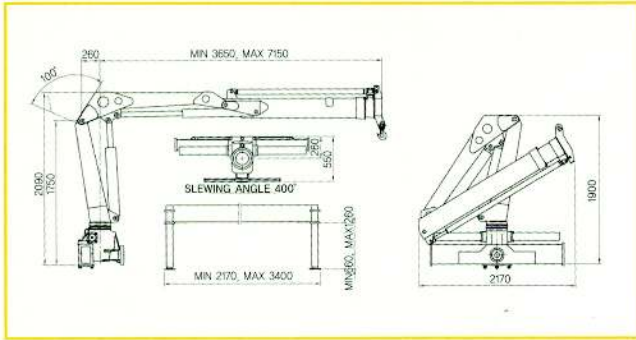
- Pressure relief valve for hydraulic circuit
- Constant flow valves
- Back pressure valves
- Hose failure valves
- Pilot-operated check valves on outrigger leg cylinders

Optional Features are including...

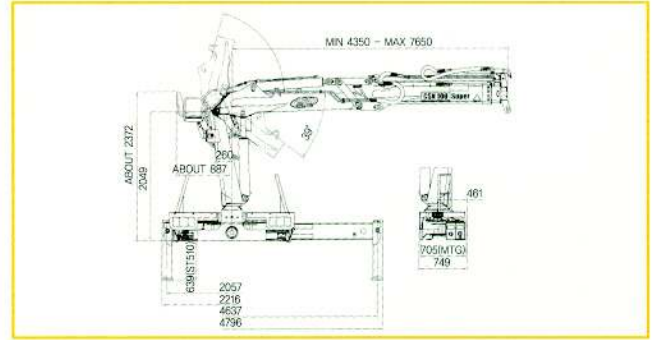
- Double rack gear and 4 slewing cylinders
- Additional outrigger system for safe work
- Several accessories, eg, scrap grapple, log grapple, pallet fork, etc
- Hydraulic winch system
- Manual boom system
- Service port for hydraulic tool operation
- Any other optional features if customers request
- Top-seat control



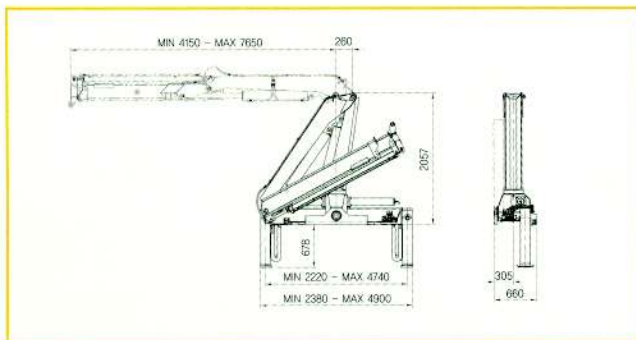
CSN 600V



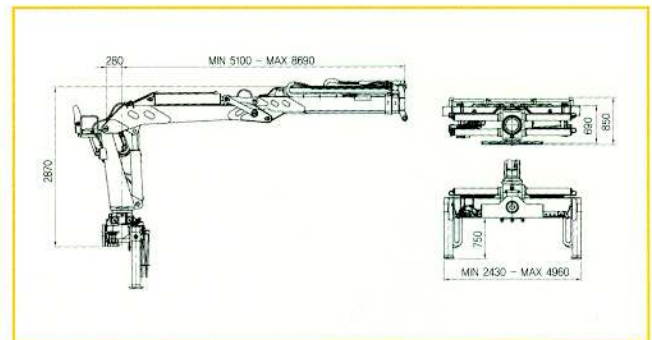
CSN 100S



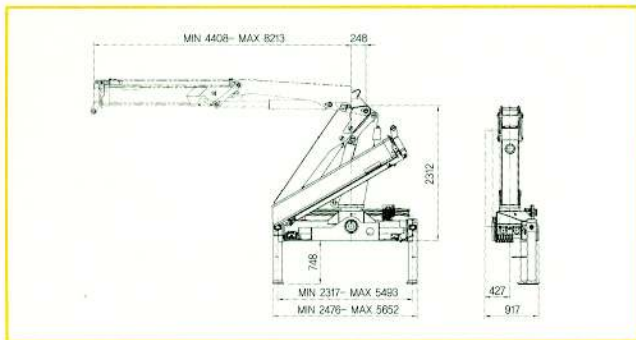
CSN 1000V



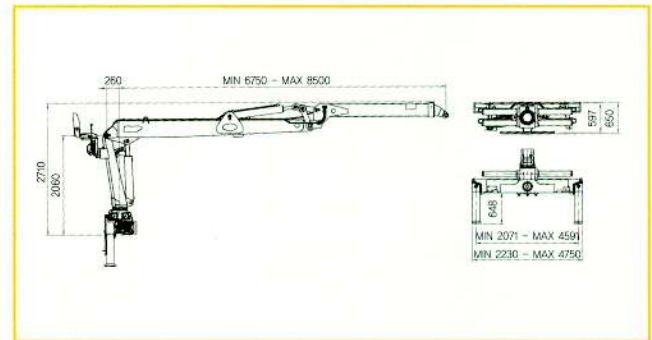
CSN 1592



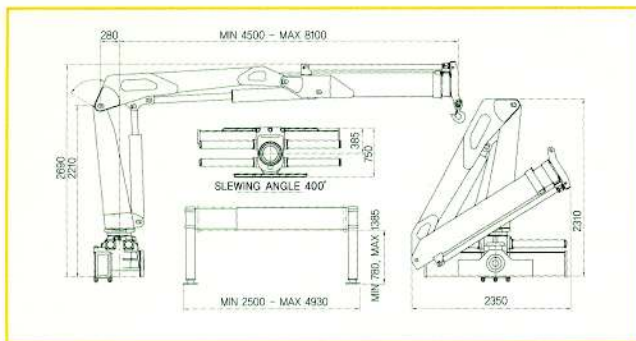
CSN 1500V



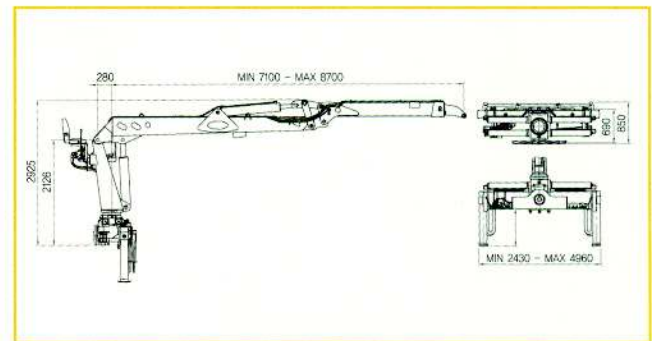
CSP 10004OK



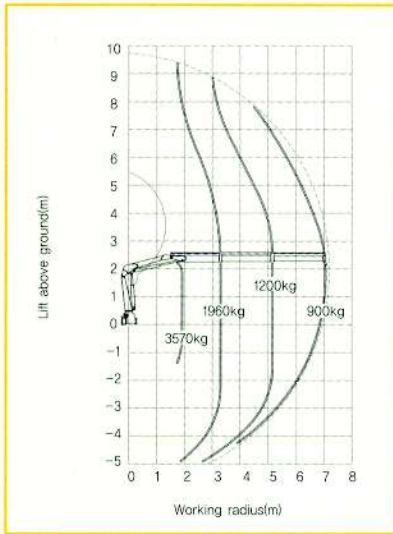
CSN 2000V



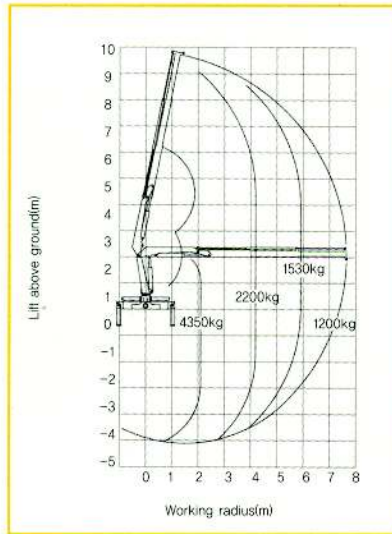
CSP 1472



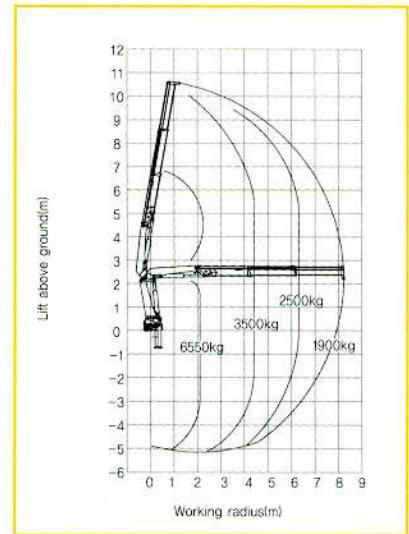
CSN 600V



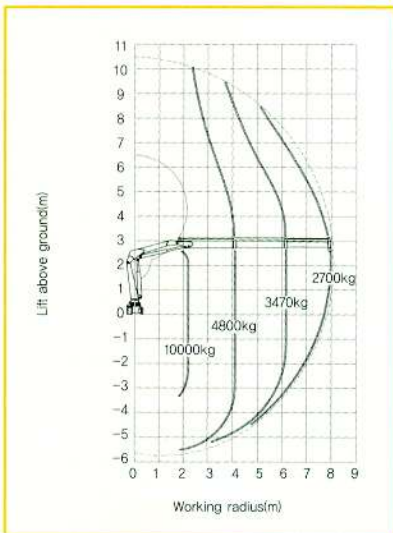
CSN 1000V



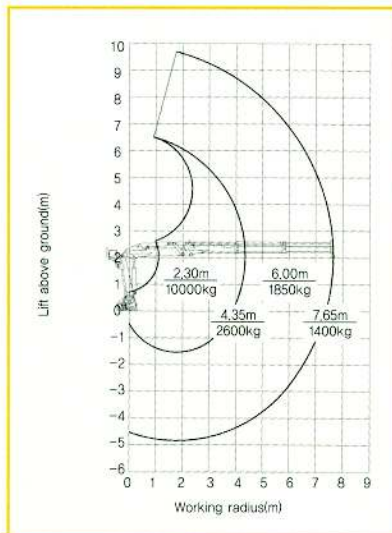
CSN 1500V



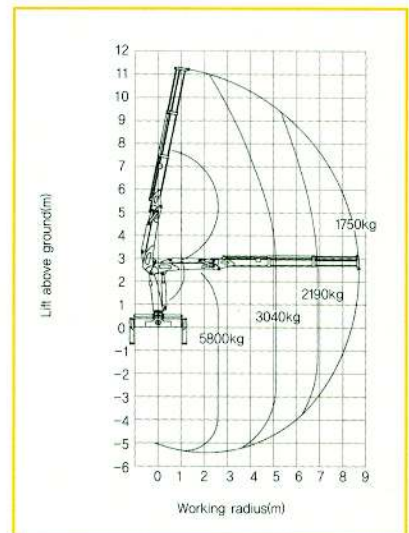
CSN 2000V



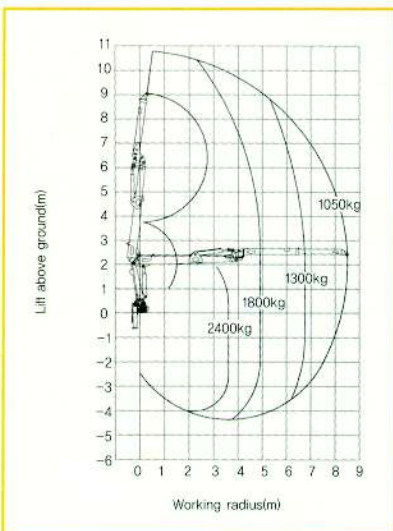
CSN 100S



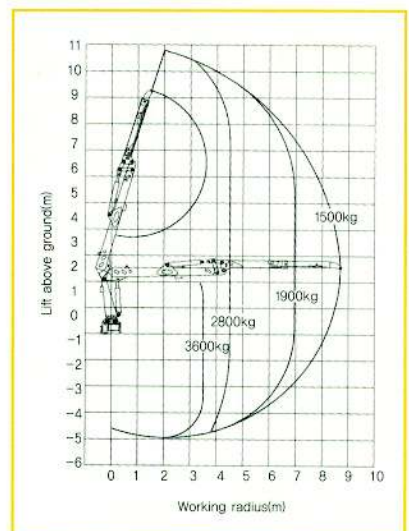
CSN 1592



CSP 10004OK



CSP 1472



TECHNICAL DATA FOR KNUCKLE BOOM CRANE SERIES

Specification	Model Unit	Vehicle Type				Production Type				Remark
		CSN600V (B2)	CSN1000V (B2)	CSN1500V (B2)	CSN2000V (B2)	CSN100S (B3)	CSP100040K (B3)	CSN1592 (B4)	CSP1472 (B4)	
Lifting Capacity	ton · m	6.4	9.2	15.0	21.8	10.2	9.0	15.0	13.0	
Hydraulic Outreach	m	7.15	7.65	8.2	8.2	7.6	8.6	8.7	8.7	
Lifting Height	m	9.5	9.73	10.5	10.5	9.9	10.9	11.2	11.0	Above Installation Level
Outreach / Lifting Load	m / kg	1.8 / 3570	2.10 / 4350	2.1 / 6550	2.1 / 10000	2.1 / 4950	3.6 / 2400	2.6 / 5800	3.5 / 3600	
		3.3 / 1960	4.15 / 2200	4.4 / 3500	4.5 / 4800	4.0 / 2570	4.9 / 1800	5.1 / 3040	4.5 / 2800	
		5.1 / 1200	5.90 / 1530	6.3 / 2500	6.2 / 3470	5.7 / 1820	6.7 / 1300	6.9 / 2190	7.0 / 1900	
		6.9 / 900	7.55 / 1200	8.2 / 1900	7.9 / 2700	7.6 / 1380	8.5 / 1050	8.7 / 1750	8.5 / 1500	
Slewing Angle	°	400	410	410	400	410	410	410	410	
Oil Tank Capacity	l	50	145	170	170	145	145	170	170	
Rated Oil Flow	l / min	30	50	64	64	50	64	64	80	
Working Pressure	kg / cm ²	240	250	270	280	250	240	250	260	
Slewing Speed	° / sec	15	30	24	15	30	30	27	27	
Slewing System	-	Single	Single	Double	Double	Double	Double	Double	Double	
Outrigger Extension	m	3.4	4.9	5.7	4.9	4.75	4.75	5.0	5.0	
Truck Chassis	ton (GVW)	10	10	15	21	10	10	15	15	



Accessories with well secured hose / pipe kit

several accessories with a hose / pipe kit to be optionally provided for customers' needs.



Powerful & smoother slewing system

It is optionally designed to provide extraordinary power and smoother action with 2 rack gears and 4 slewing cylinders in combination with a spindle as a pinion gear.



Top-seat control System

As an optional feature, top-seat control system is to be equipped. From up there you can get a better view of a work place with simply provided boom system.



Wider-extension beam outriggers

Wide extension beam of outriggers in its class is designed to provide safe and comfortable works with hydraulically operated beam sliders and leg extension as a standard feature.

Optionally additional outrigger system can be supplied if you wish for rather safe work in the various working conditions.

ATTACHMENTS



SCRAP GRAPPLE



LOG GRAPPLE



BRICK & BLOCK CLAMP



CLAMSHELL BUCKET



PALLET FORK



CS MACHINERY CO.,LTD

Main Office & Factory 228-6, Keumam, Buk-e, Chongwon, Chungbuk, Korea
TEL : +82-43-211-6003 FAX : +82-43-211-7003
Homepage : <http://www.csmltd.co.kr>
E-mail : CSMLTD@hitel.net

Seoul Office 151-5, Youngdeungpo 4-Ga, Youngdeungpo-ku, Seoul, Korea
TEL : +82-2-671-5406 FAX : +82-2-671-5506
E-mail : Ksyang2001@lycos.co.kr